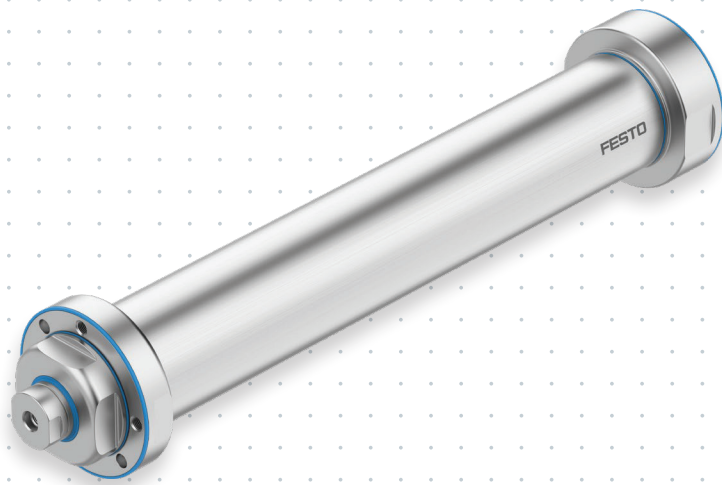


FESTO

Stainless-steel electric cylinder EPRF-BS



Highlights

- Hygienic series for the most challenging environmental conditions
- Six mounting options for maximum flexibility during mechanical installation
- Stainless-steel housing made from 1.4404 / 316L
- Suitable for contact with food
- Easy-to-clean design
- Maximum corrosion resistance
- NSF-H1 grease for hygiene-critical applications
- Five sizes, stroke lengths up to 1000 mm and feed forces up to max. 12.5 kN
- Motor mounting kits for parallel and axial motor mounting directions
- Two piston rod seals connected in series in protection class IP69K

The stainless-steel electric cylinder EPRF-BS in clean design is the ideal solution for the most demanding environmental conditions. It is hygienic, sturdy and compact – perfect for the food, pharmaceutical and packaging industries.

Hygienic design for demanding applications

The EPRF-BS is a hygienic stainless-steel electric cylinder with IP69K protection, suitable for contact with food. Its smooth, easy-to-clean design guarantees simple maintenance and high corrosion resistance.

Compact design and easy integration

The EPRF-BS, with its five sizes, six mounting types and two different motor mounting positions, is really easy to integrate. With the rotatable flanges at the front, the positioning can be freely selected for a customised installation. Two IP69K seals ensure absolute tightness, and a pressure compensation connection safely discharges air outside the food zone.

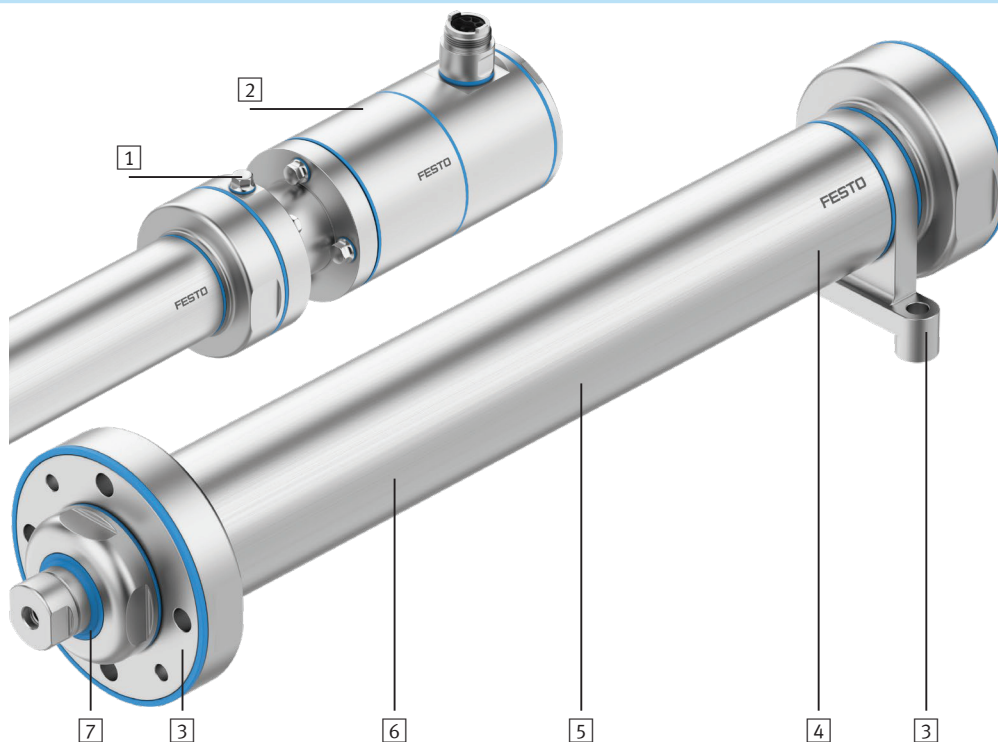
Intelligent features for modern automation

The EPRF-BS with EMMH-AS stainless-steel motor create a seamless, integrated automation solution, from the control system to the hygienically designed drive – all from a single source.

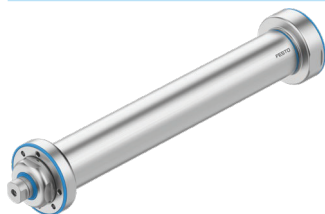
Description

Design

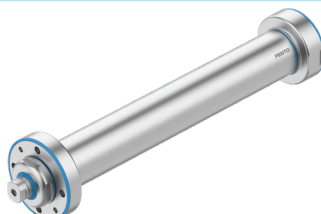
- 1 Pressure compensation connection to prevent condensation
- 2 Maximum performance in combination with stainless-steel servo motor EMMH-AS: axial or parallel motor connection → page 3
- 3 Six mounting options M1 .. M6 for maximum flexibility
- 4 Laser-engraved rating plate for maximum durability
- 5 5 sizes with diameters 36, 45, 55, 75 and 86 mm with a feed force of up to 12500 N
- 6 Stainless-steel housing in 316L / 1.4404 for hygienic applications and maximum corrosion resistance
- 7 Seal in protection class IPX9K to ISO 20653 dual sealing technology for maximum IP protection



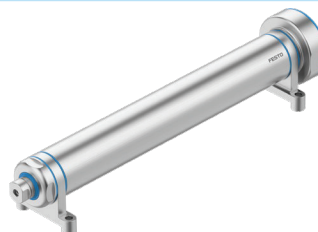
Mounting options



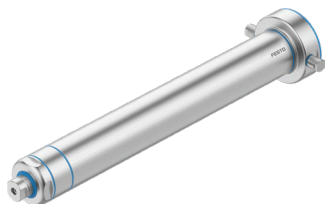
Option M1: Flange mounting with threaded hole (standard)



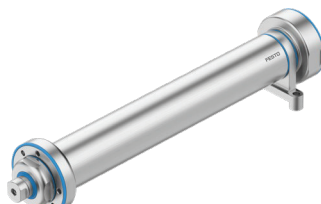
Option M2: Flange mounting with through-hole



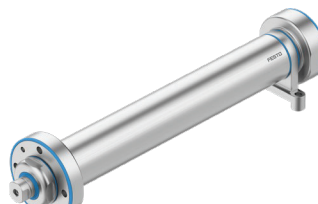
Option M3: Foot mounting (2 pieces)



Option M4: Rear pivot mounting



Option M5: Flange mounting M1 with threaded hole + foot mounting M3

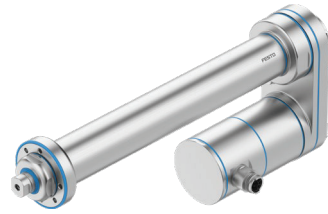


Option M6: Flange mounting with through-hole M2 + foot mounting M3

- All accessories can be freely positioned through 0 ... 360°
- The accessories are always supplied pre-assembled

Easy to install / combine with EMMH-AS and suitable motor cable

The combination of stainless-steel actuator EPRF and stainless-steel servo motor EMMH-AS creates a powerful and hygienic drive system. They can be mounted in parallel or axially, and the mounting kits can be rotated 90°. Suitable motor cables are also available.



Parallel mounting



Axial mounting



Motor cable NEBM

Technical data

Size		36	45	55	75	86
Design		Electric cylinder with ball screw				
Screw pitch		8P	5P, 10P	5P, 10P, 16P	5P, 10P, 25P	5P, 15P, 32P
Stroke length	[mm]	25 ... 250	25 ... 800	50 ... 800	50 ... 1000	50 ... 1000
Max. feed force F _x	[N]	380	1,000	3,000	7,500	12,500
Max. speed	[mm/s]	600	1,000			
Max. acceleration	[m/s ²]	15				
Repeatability	[mm]	+- 0.02				
Ambient temperature	[°C]	-10 ... 60				
Degree of protection		IP69K				
Corrosion resistance class CRC ¹⁾		4 – Particularly high corrosion stress				

**Want to Learn More?
Scan the QR Code to read our Blog.**



CLEVELAND
248-478-1182

COLUMBUS
248-478-1182

TAMPA
813-774-59352

ORLANDO
813-774-5935

JACKSONVILLE
813-774-5935

MIAMI
813-774-59358